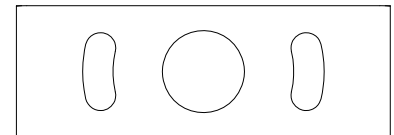
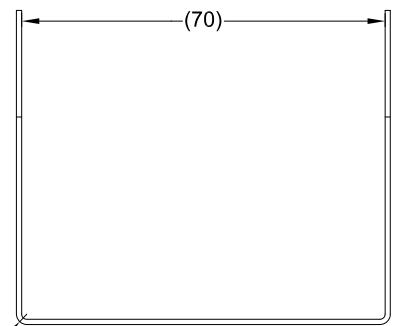
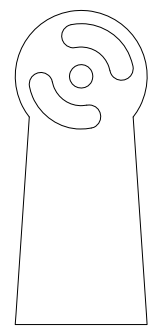
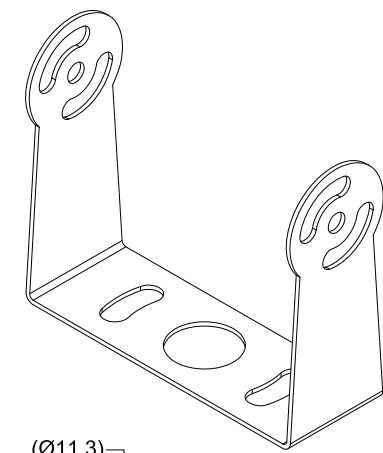
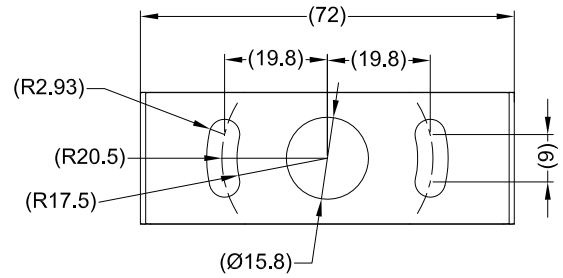


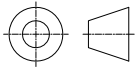
Revision Notes.		
1. FRAME AND DIMENSIONS UPDATED		
Checked By: LB	Approved By: DK	Date Released: 23/03/12



NOTES:
 1. FINISH: BLACK.
 2. MATERIAL: STEEL 1.0T

PROPRIETARY NOTICE
 THIS DESIGN AND TECHNICAL INFORMATION APPEARING ON THIS DRAWING IS THE PROPERTY OF BRIGADE ELECTRONICS, AND IS DISCLOSED IN CONFIDENCE. IT IS NOT TO BE COPIED, REPRODUCED, REVEALED TO OR EXPROPRIATED BY OTHERS, EITHER IN WHOLE OR IN PART WITHOUT THE EXPRESS WRITTEN CONSENT OF BRIGADE ELECTRONICS.

BRIGADE[®]
 www.brigade-electronics.com

Assembly Pl Approval XINYU HUANG(12/11/12)	Approved by D.KERAI	Checked by B.CHILDS	Drawn by M.BUTLER
Angle of Projection	Units mm	Scale N/A	Released 17/05/10
 Third Angle	Status RELEASED	VBV-7/1XXC-BKT	
	Stock Code 3189A	BE-001059-01-10	